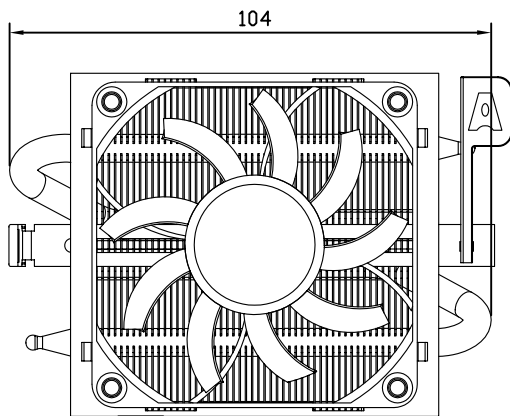


Model: MF092-094
CPU Cooler for AMD Athlon 64

- Copper-Aluminum heat sink for high thermal conductivity
- Heat pipe technology to increase thermal performance
- Stamped fin technology provides high density fin array
- Powerful speed control 2 ball-bearing fan for noise reduction
- Type V spring clip for easy installation
- Dow Corning TC-5022 thermal interface material pre-applied
- Retention frame and backing plate assembly available separately
- RoHS Compliant


Recommended by AMD for Athlon

SPECIFICATIONS

Fan Size:70x15mm
Bearing:2
Input Voltage:12 VDC
Rated Current:0.07~0.35A
Power Input:0.84~4.20W
Speed:3050~6000 RPM
Airflow:21~41CFM
Noise:28~46 dB-A
Connector:3 pin
Heat Sink:Cu-Al
Heat Pipes:2
Interface Material:TC-5022
Overall Weight:362gm

