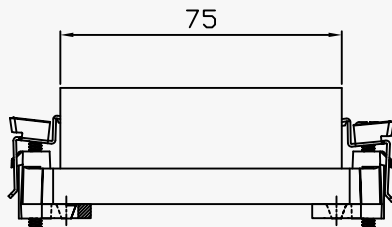
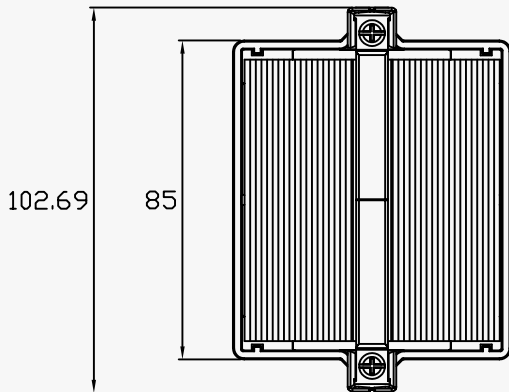


Model: PF049
 CPU Heat Sink for Opteron 1U Server

Copper-Aluminum heat sink for high thermal conductivity
 Stamped fin technology provides high density fin array
 Type I clip provides optimal pressure on the die while maintaining a stable connection to the retention frame
 Includes retention frame



SPECIFICATIONS

Heat Sink:Ni plated Cu-Al
 Retention Frame:Lexan 3412R
 Thermal Interface:G751
 Overall Weight:289gm

