

Model: MF035-032

CPU Cooler for Athlon MP 2800+ and XP 3200+

Copper-Aluminum heat sink for high thermal conductivity

Stamped fin technology provides high density fin array

High CFM low noise 2 ball-bearing fan

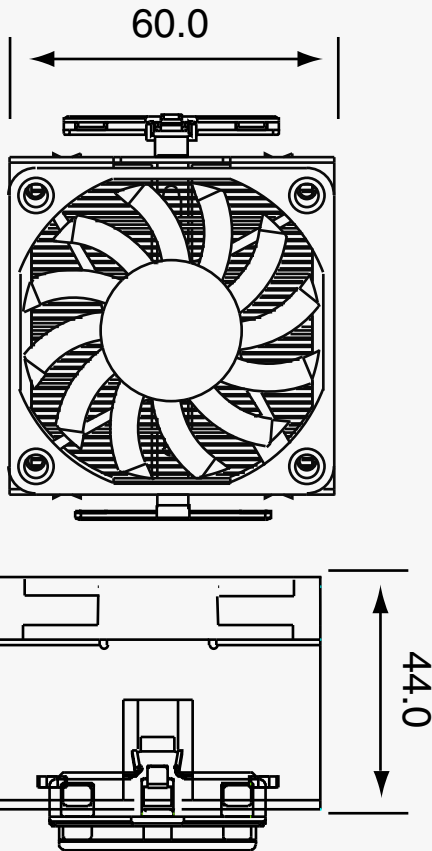
6 tab clip provides optimal pressure on the die while maintaining a stable connection to the socket

Honeywell PCM45 thermal interface material

Compact design



Recommended by AMD for Athlon MP & XP


SPECIFICATIONS

Fan Size:60x13mm
Bearing:2
Input Voltage:12 VDC
Rated Current:0.11A
Power Input:1.32W
Speed:3600 RPM
Airflow:18.15CFM
Noise:28.0 dB-A
Connector:3 pin
Heat Sink:Cu-Al
Interface Material:PCM45
Overall Weight:298gm

